



TOOL PRECISION
IS DETAIL PRECISION

HUMM CLAMP

5-AXIS CENTRIC VISE



High clamping repeatability +/- 0.01

High clamping force of 35 kN

Jaw quick change/rotate system - no tools required

Guides to prevent lateral torsion of the jaws and blocking

No lifting of the jaws when tightening the detail

Shavings and coolant discharge holes

Working range: 0-95 mm and 93-180 mm

Possibility of assembling two details at the same time thanks to the application of the Central Jaw HCSC-125

No "blind spot" in jaw spacing

Central setting of the spindle screw

Hardened, ground body

Possibility of attaching to the table with clamps

Vise base compatible with ZeroPoint APS, WPS, ZeroAct, UNILOCK, QuickPoint Lang 96 mm

Various types of snap-on jaws

Height and method of attaching the 5-axis risers made at the customer's request

Possibility of making risers from steel or aluminum

READY-MADE SETS

HC-80-SET



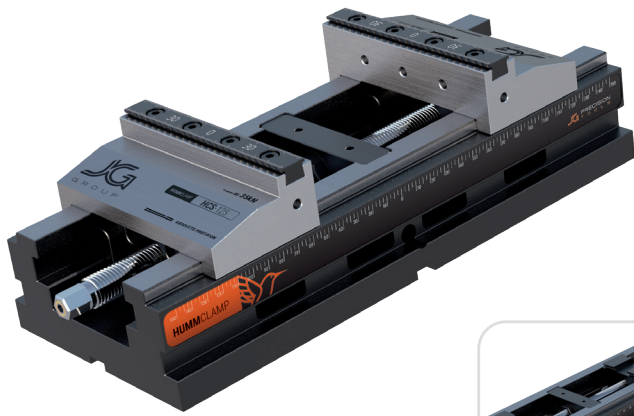
HC-125-SET



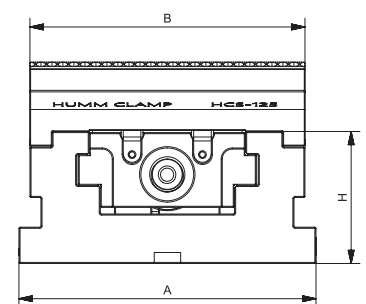
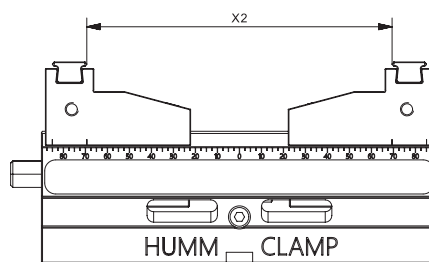
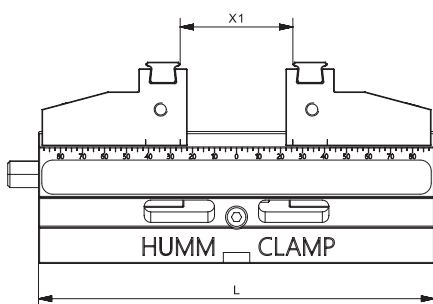
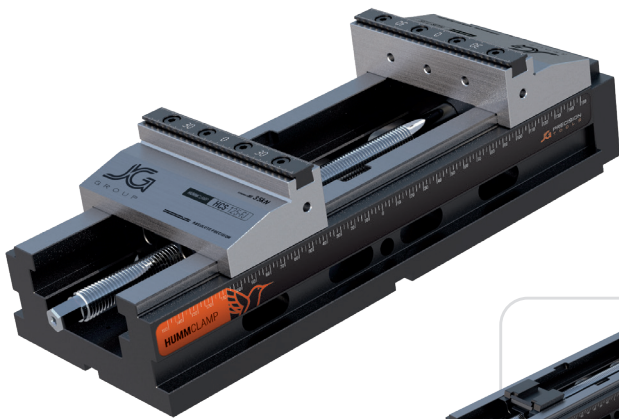
HC-125-FJ-SET



HC-125L-SET

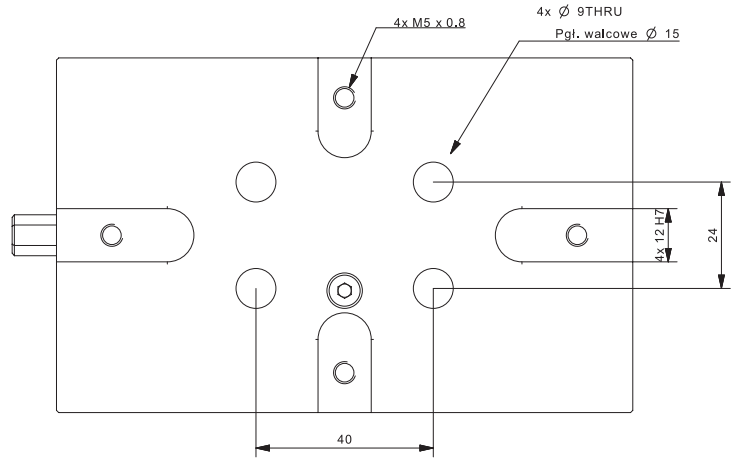


HC-125L-FJ-SET

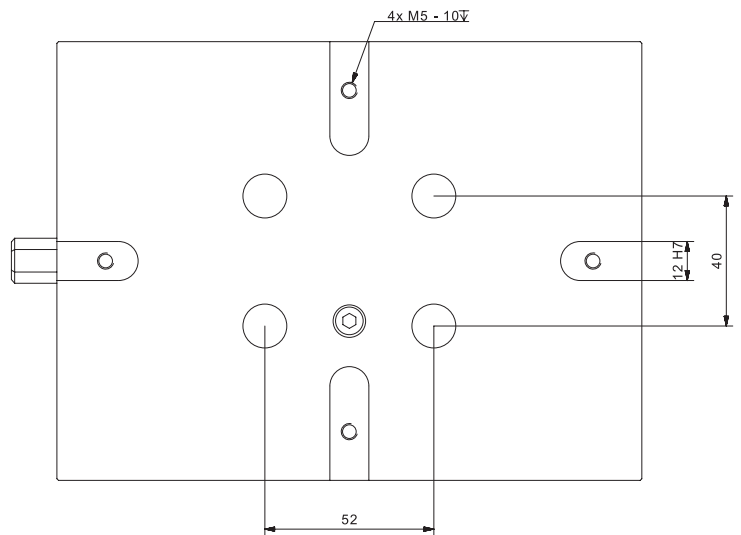


STOCK NO.	weight (kg)	L (mm)	H (mm)	A (mm)	B (mm)	X1 (mm)	X2 (mm)
HC-80	2,7	130	47	80	80	0-75	55-130
HC-125	8,4	180	60	135	125	0-95	93-180
HC-125L	13,2	320	60	135	125	0-195	93-290
HC-125L-FJ	13,6	344	60	135	125	0-190	93-280
HC-125-FJ	8,8	205	60	135	125	0-75	93-160

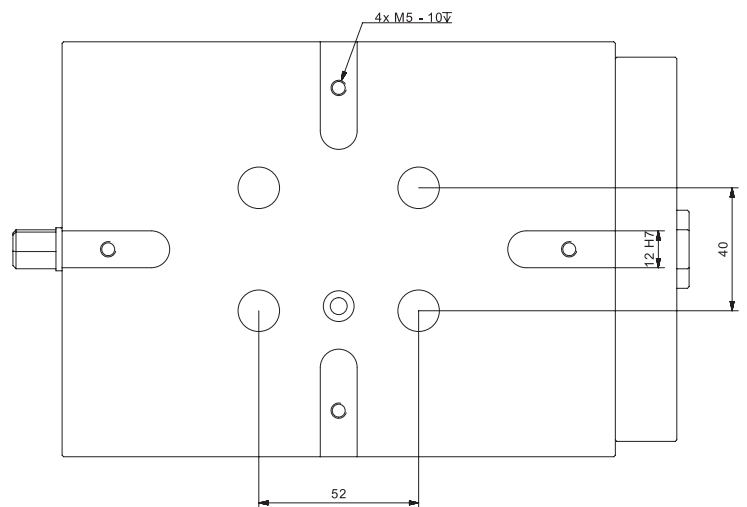
HC-80



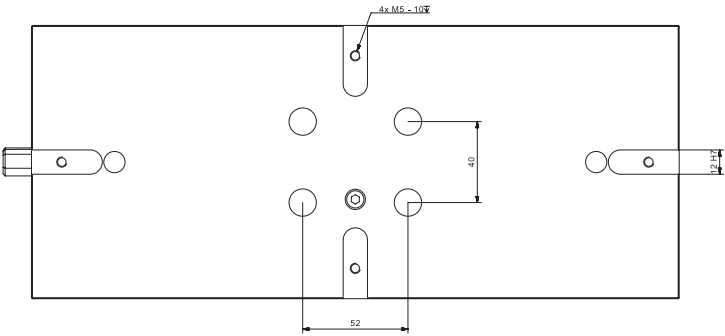
HC-125



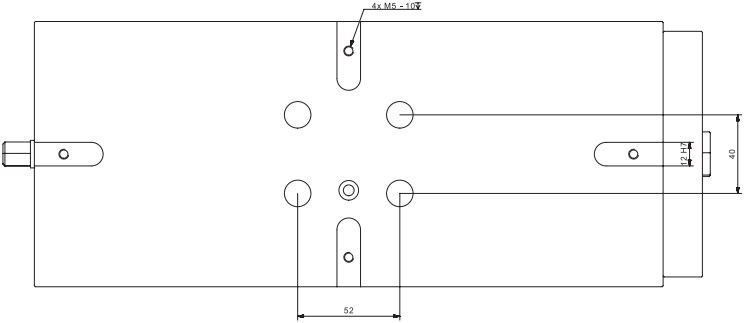
HC-125-FJ



HC-125L

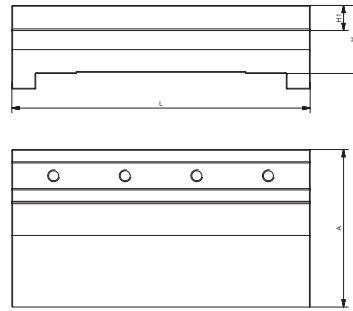


HC-125L-FJ

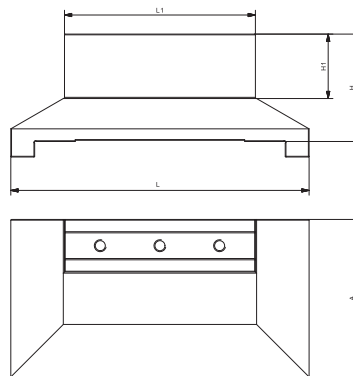


JAWS

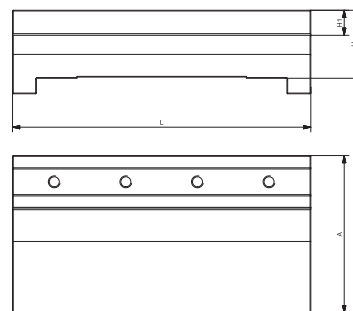
HCS-125



HCS-125-5X



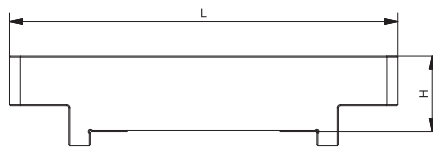
HCS-125-W



STOCK NO.	weight (kg)	L (mm)	L1 (mm)	H (mm)	H1 (mm)	A (mm)	dedicated tooth inserts
HCS-80	0,3	80	-	20	8,5	42	HCW-80
HCS-80-W	0,45	80	-	35	23,5	42	HCW-80
HCS-80-5X	0,36	80	50	35	23,5	42	HCW-80-5X
HCS-125	1	125	-	28,5	10,5	66	HCW-125 HCW-125-2
HCS-125-W	1,32	125	-	45	27	66	HCW-125 HCW-125-2
HCS-125-5X	1,1	125	80	45	27	66	HCW-125-5X

SYSTEM JAWS

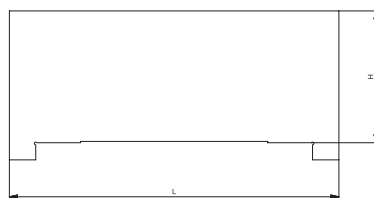
HCS-125-S



STOCK NO.	name	weight (kg)	L (mm)	H (mm)	A (mm)	dedicated tooth inserts
HCS-125-S	system	2,5	180	40	66	HCW-125-SU

FLAT JAW

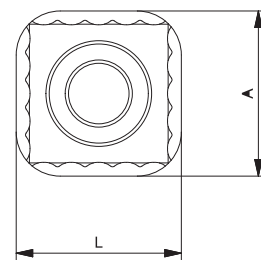
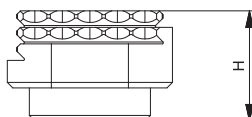
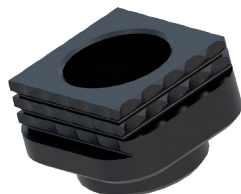
HCS-125-F



STOCK NO.	name	L (mm)	H (mm)	A (mm)
HCS-125-F	surowe	125	50	66
HCS-80-F	surowe	80	35	42

SYSTEM INSERTS

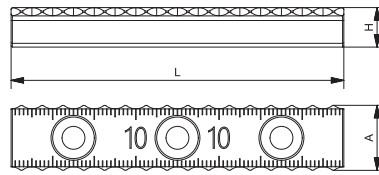
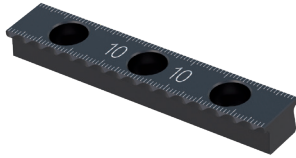
HCW-125-SU



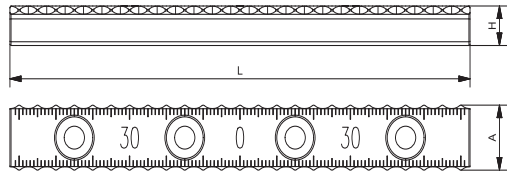
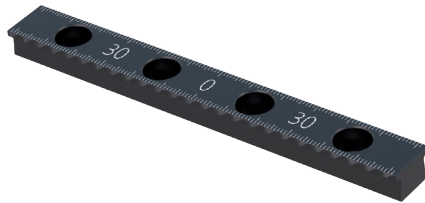
STOCK NO.	weight (kg)	L (mm)	H (mm)	H1 (mm)	A (mm)	fixing screws
HCW-125-SU	0,1	30	20	-	30	M10

TOOTH INSERTS

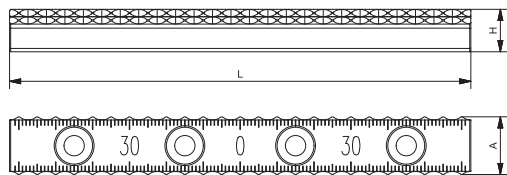
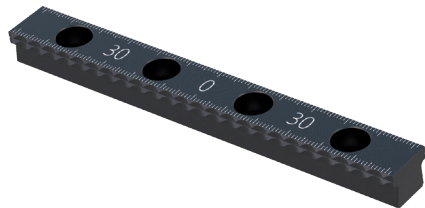
HCW-125-5X



HCW-125



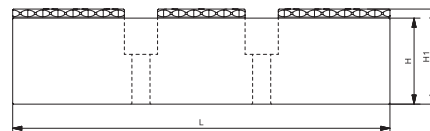
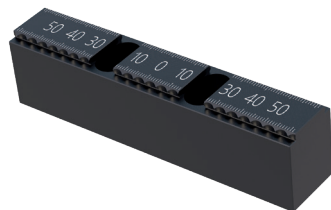
HCW-125-2
double
insert



STOCK NO.	weight (kg)	L (mm)	H (mm)	A (mm)	fixing screws
HCW-80	0,05	80	9,5	12,6	M3
HCW-80-W	0,05	80	9,5	12,6	M3
HCW-80-5X	0,03	50	9,5	12,6	M3
HCW-125	0,1	125	9,5	15,5	M5
HCW-125-W	0,1	125	9,5	15,5	M5
HCW-125-5X	0,1	80	9,5	15,5	M5
HCW-125-2	0,12	125	11,5	15,5	M5

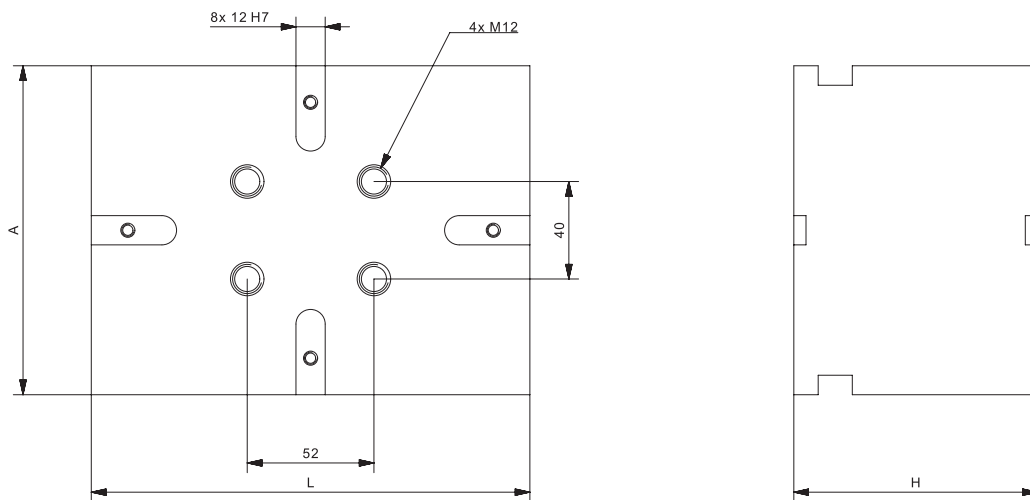
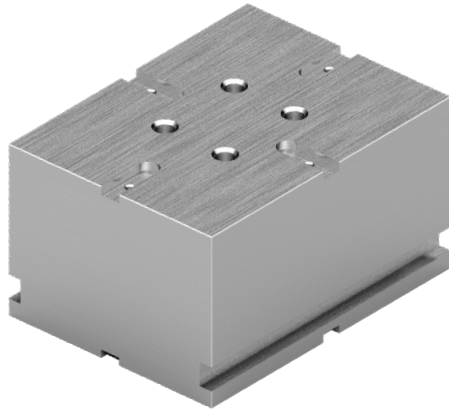
HCSC-125 CENTERJAW WITH INSERT

HCSC-125



STOCK NO.	weight (kg)	L (mm)	H (mm)	H1 (mm)	A (mm)	fixing screws
HCSC-125	0,7	125	28,5	31,5	25	M5

RISERS

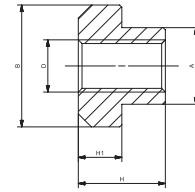
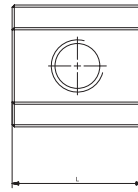
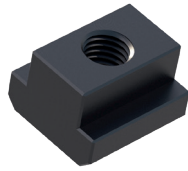


	A	L	H*
HC-80	80	130	30
HC-80	80	130	50
HC-80	80	130	70
HC-80	80	130	90
HC-80	80	130	110
HC-125	125	180	50
HC-125	125	180	80
HC-125	125	180	110
HC-125	125	180	140
HC-125	125	180	170
HC-125L	125	320	50
HC-125L	125	320	80
HC-125L	125	320	110
HC-125L	125	320	140
HC-125L	125	320	170

* dimensions agreed with the customer during the order

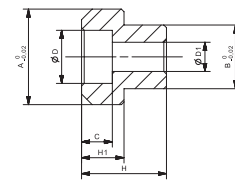
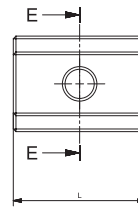
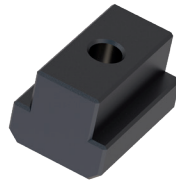
ADDITIONAL ACCESSORIES

HCAAT T-stone



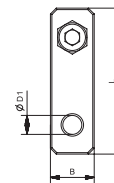
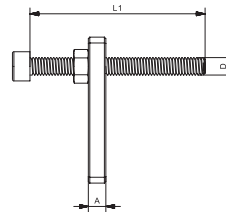
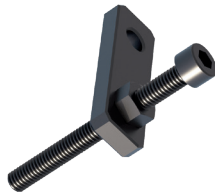
STOCK NO.	H	H1	A	B	D	L
HCAAT-1	18	9	15,6	25	M12	27
HCAAT-2	20	10	17,6	28	M12	30
HCAAT-3	24	12	19,6	32	M12	32
HCAAT-4	28	14	21,6	35	M12	36

HCAB base stone



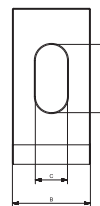
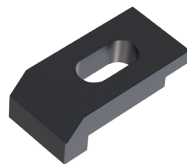
STOCK NO.	H	H1	A	L	fixing screws
HCAB-1	16	8	14	25	M5
HCAB-2	16	8	18	25	M5

HCAO resistance



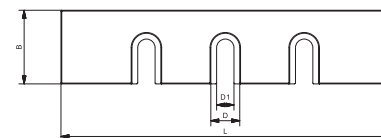
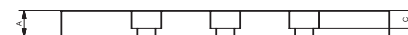
STOCK NO.	A	B	L	L1	ØD	ØD1
HCAO-1	6	15	50	60	M6	5,5

HCAL Clamp



STOCK NO.	A	B	L	C	D
HCAL-1	26	40	80	16,5	35

Overlay for HCAK jaws*





*possibility of making any size at the customer's request


STOCK NO.	A	B	L	C	D	D1
HCAK-1	10	28	125	6,8	11	6,6



 www.jg-group.pl

 JG Group Sp. z o.o.
Headquarters and Production Plant
ul. Braci Krausse 4, 20-270 Lublin

 Office: +48 81 468 00 30
Fax: +48 81 746 57 88

 biuro@jg-group.pl
info@jg-group.pl

NIP: 9462678267 | KRS: 0000717020 | REGON: 369388478



DISTRIBUTORS:

